



Features:

- Light Distribution Type 3 available
- Power Factor >0.99 @ 120V
- High efficacy at 100 lumens per watt
- 5 year limited warranty, additional options available
- 10 kV Surge Protection Standard
- Operating Temp Range -40° to 140°F / Rh 10-95%
- Fixture comes standard with 2 3/8" slip fitter, contact factory for other mounting options

- ETL, RoHS, DLC, and FCC approved
- IP66 Ingress Protection-Rated for wet locations
- Workable voltage 90-305V, or 180-528V
- LM79/80 reports available

Applications:

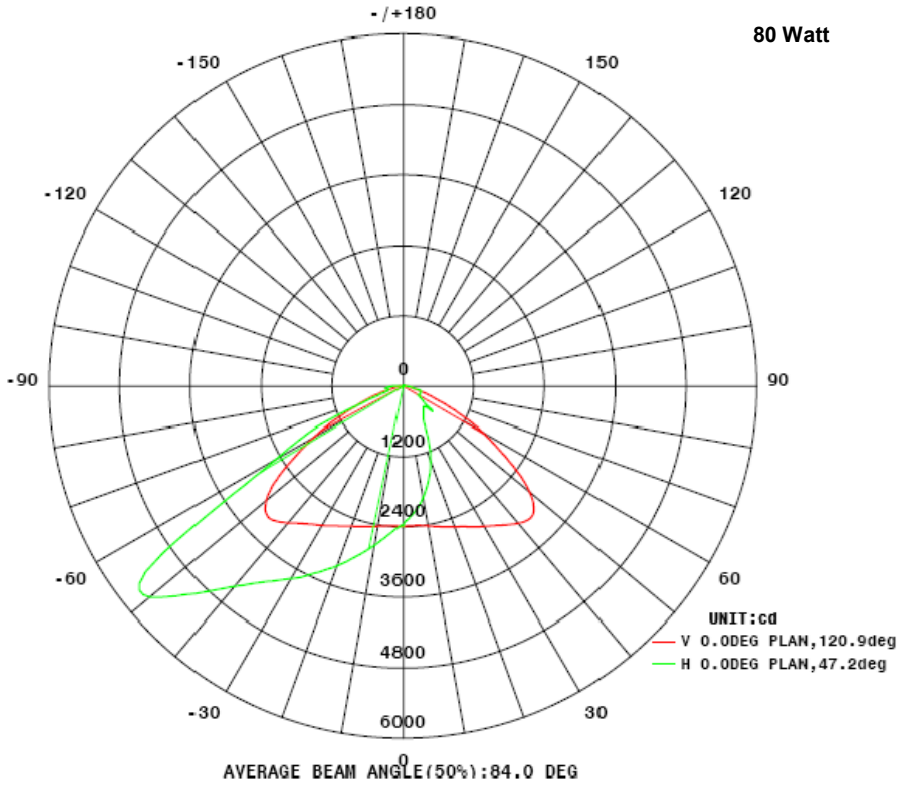
- Parking Lots
- Pathways
- Roadways

Ordering Information:

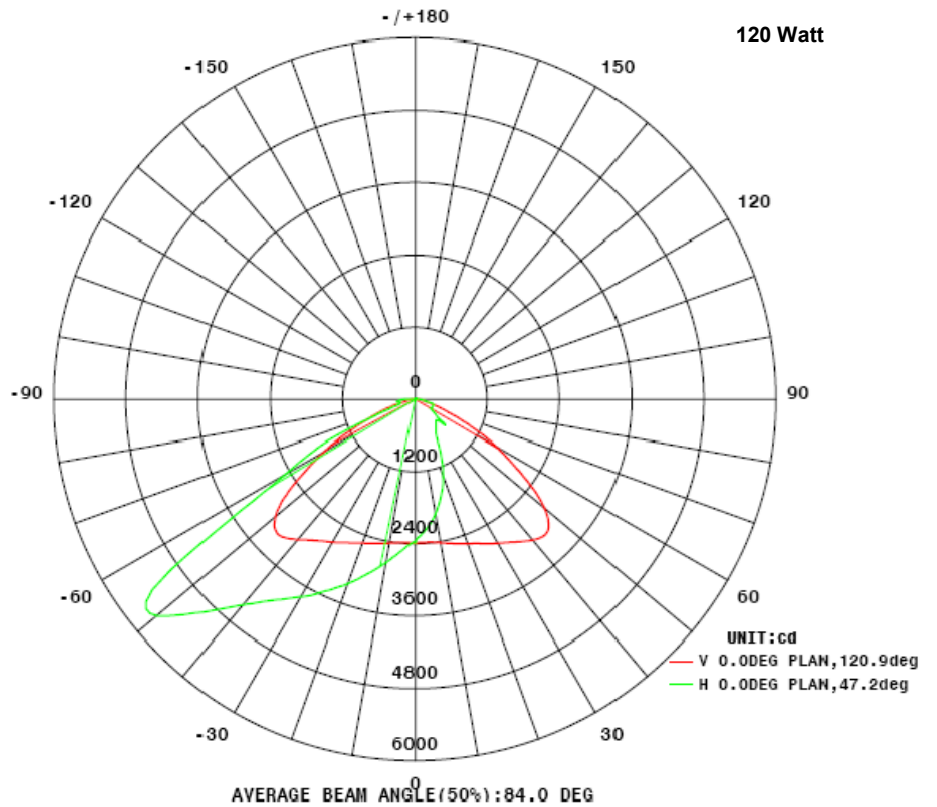
EX. PLA-16L-40K-T3-AA-UL-SL-PC



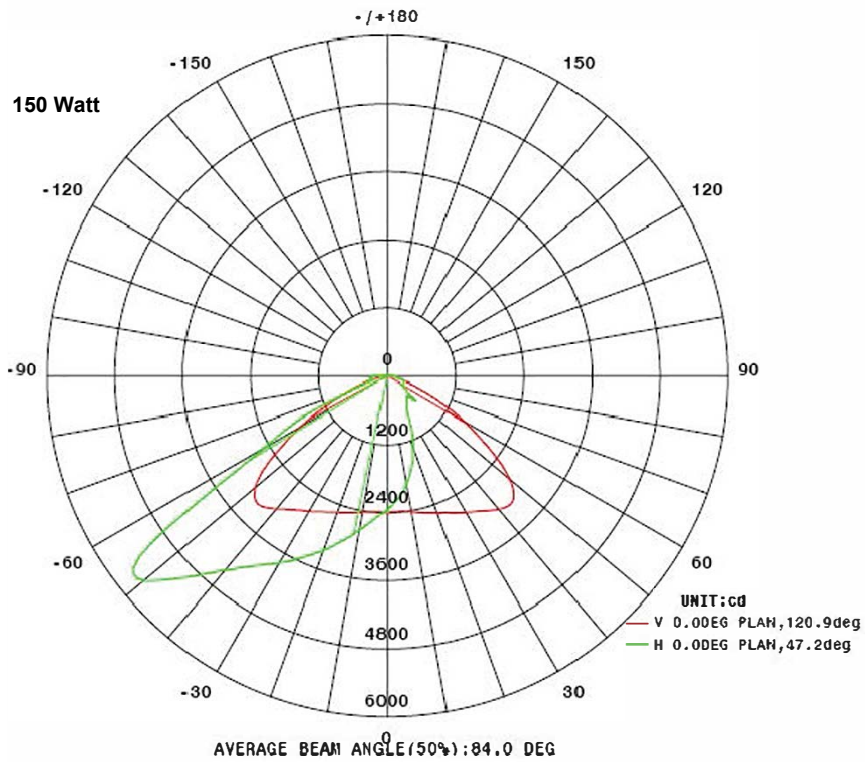
Model	Lumen Package	CCT	Distribution Type	Mounting Bracket	Voltage	Fixture Finish	Options
PLA	11L = 13,073 Lm, 100W 16L = 16,263 Lm, 128W 25L = 27,758 Lm, 226W	30K = 3000K 40K = 4000K 50K = 5000K 57K = 5700K	T1 = Type 1 T2 = Type 2 T3 = Type 3 T4 = Type 4 T5 = Type 5	AA = Adaptor A AB = Adaptor B AC = Adaptor C AD = Adaptor D AE = Adaptor E	UL = 120-277v UH = 347-480v	SL = Silver DB = Dark Bronze WH = White BL = Black GR = Green	PC = Photocell



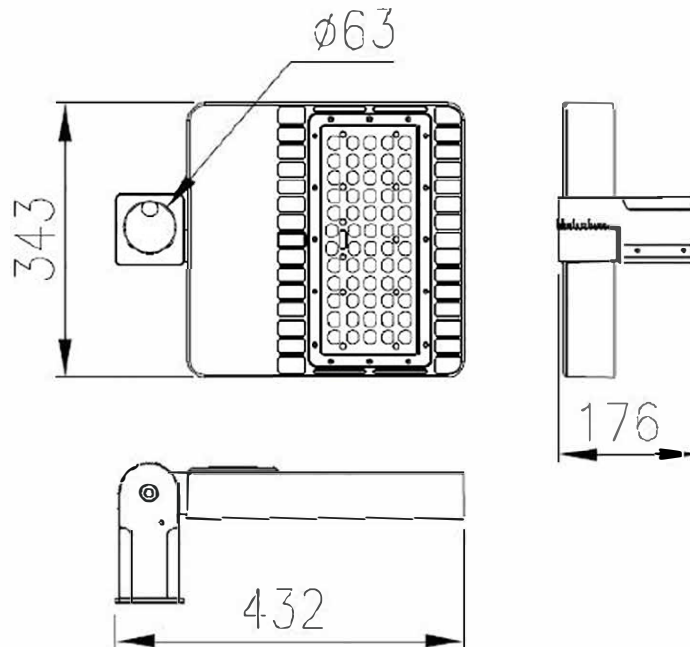
BEAM ANGLE



BEAM ANGLE

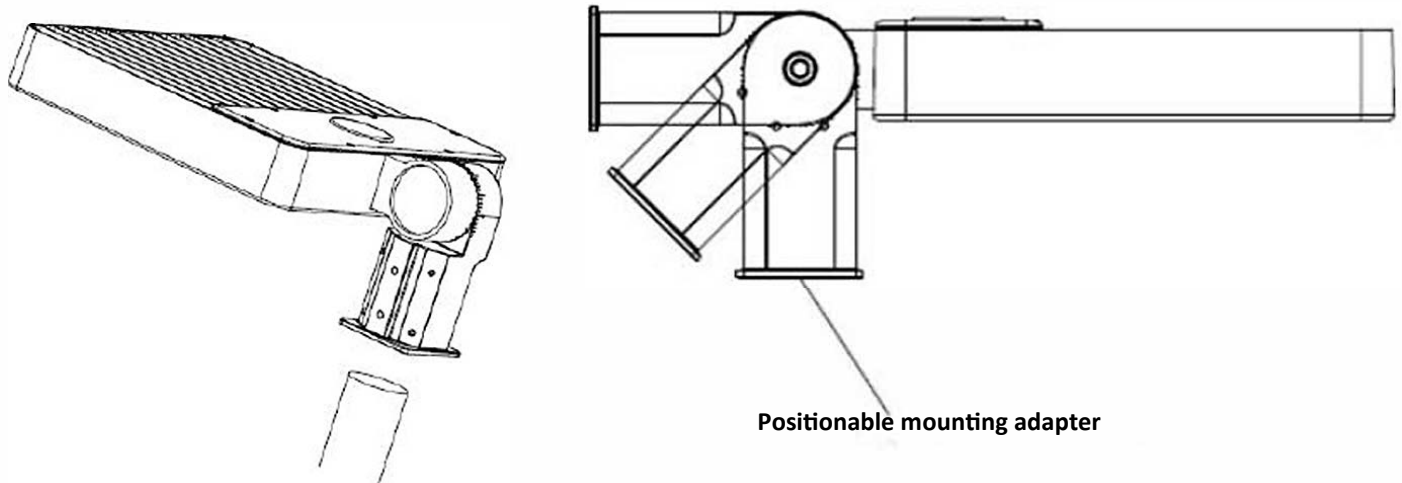


UNIT DIMENSIONS

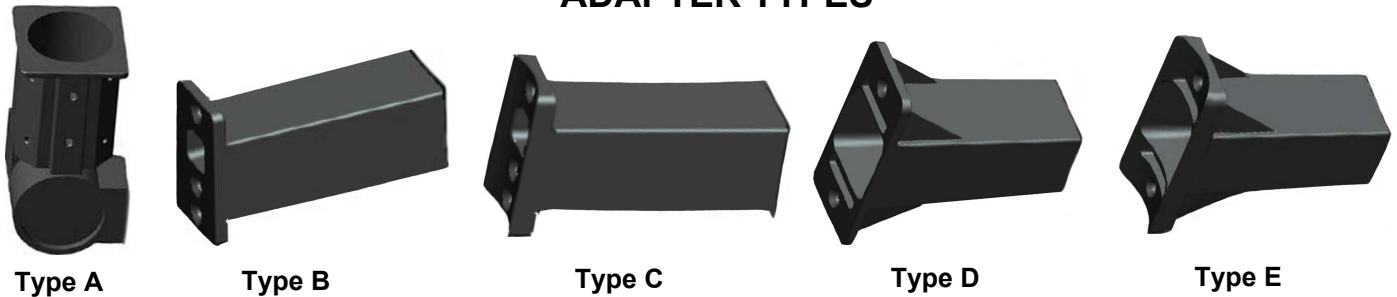


INSTALLATION INSTRUCTIONS

Type A adapter for round Pole Diameter 60MM



ADAPTER TYPES



- **Improper installation may void warranty. Follow all installation instructions**
- To prevent electrical shock, cut off power before installation
- Ensure pole can support weight of luminaire
- Do not use where exposed to corrosive gases
- Do not cover luminaire
- For safe operation luminaire must be properly grounded